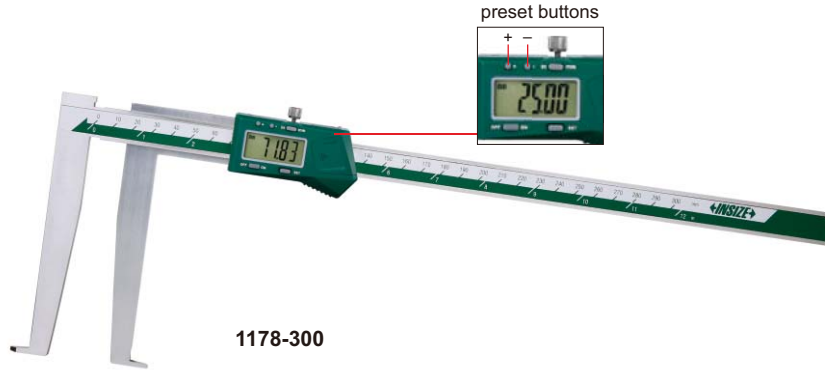


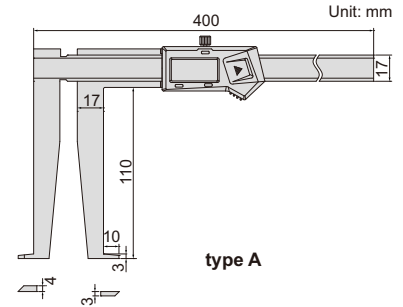
# DIGITAL INSIDE GROOVE CALIPERS



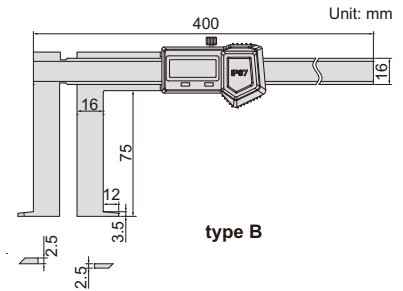
1178-300



1178-300P



type A



type B

- Measure diameter of grooves inside bores
- Resolution: 0.01mm/0.0005"
- Buttons type A: on/off, set, mm/inch, preset (+, -), type B: on/off, zero, mm/inch, ABS/REL, hold
- Battery CR2032
- Made of stainless steel
- Optional accessory: depth stop (code **6143**)

depth stop **6143**  
(optional)



**No dust/waterproof, with data interface**  
(data output cable code 7315-21, 7302-21, optional)

Code	Range	Type	Accuracy
1178-300	25-300mm/1.18-12"	A	±0.05mm

**No dust/waterproof, built-in wireless**

Code	Range	Type	Accuracy
1178-300WL	25-300mm/1.18-12"	A	±0.05mm

**IP67 dust/waterproof, without data interface,**  
**no automatic power off, set zero after power on each time**

Code	Range	Type	Accuracy
1178-300P	33-300mm/1.30-12"	B	±0.05mm